

IP65

IK08

5  
YEARS  
WARRANTY



A A+ A++



PBS

SASO

CB

LVD

ERC

CE



IK08



# Solo

## Key advantages

- Excellent thermal management enables fixture to be used until 9W.
- High thermal performance; product design optimised to ensure cool running of LEDs.
- LED modules and other electronic component are thermally optimized that ensures long life time.
- Very soft lighting effect which is perfect option for outdoor areas of office buildings, shopping malls, campuses and hotels etc.

## Kilit Avantajları

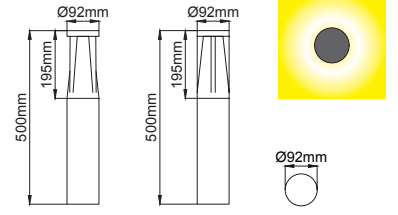
- 9W'a kadar soğutma performansına sahip akıllı tasarım.
- Yüksek performanslı termal soğutucu ile maksimum led ömrü.
- Doğru optik seçimi ile homojen ışık dağılımı.
- Son derece yumuşak vurgulu aydınlatma efekti sayesinde ofis binalarının, alışveriş merkezlerinin, otellerin ve kampüs gibi projelerin dış mekanlarında kullanımını uygun kılar.



## Solo / O07.BL.08970



| Power / Güç | CRI    | Order Code / Sipariş Kodu                    | Kelvin | Lümen T <sub>c</sub> =50° Lümen |
|-------------|--------|--|--------|---------------------------------|
| 9W          | CRI>80 | O07.BL.08970 . (...) . (...) . (...) . (...) | 2700K  | 760                             |
|             |        |  | 3000K  | 776                             |
|             |        |  | 3500K  | 792                             |
|             |        |  | 4000K  | 808                             |
|             |        |  | 5000K  | 824                             |
|             |        |  | 6500K  | X                               |



\* Code example / Kod örneği:

O07.BL.08970 . 9 . 827 . 01

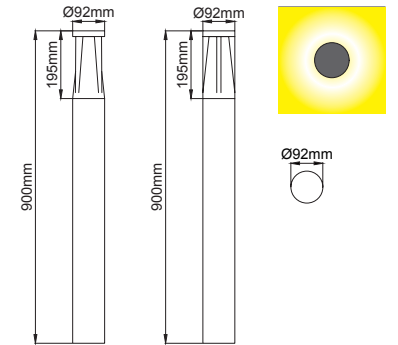
1                      2                      3                      4

- 1- Product code / Armatür kodu
- 2- Power / Güç
- 3- CRI / Kelvin
- 4- Colour / Ürün renk

## Solo / O07.BL.08975



| Power / Güç | CRI    | Order Code / Sipariş Kodu                    | Kelvin | Lümen T <sub>c</sub> =50° Lümen |
|-------------|--------|--|--------|---------------------------------|
| 9W          | CRI>80 | O07.BL.08975 . (...) . (...) . (...) . (...) | 2700K  | 760                             |
|             |        |  | 3000K  | 776                             |
|             |        |  | 3500K  | 792                             |
|             |        |  | 4000K  | 808                             |
|             |        |  | 5000K  | 824                             |
|             |        |  | 6500K  | X                               |



\* Code example / Kod örneği:

O07.BL.08975 . 9 . 827 . 01

1                      2                      3                      4

- 1- Product code / Armatür kodu
- 2- Power / Güç
- 3- CRI / Kelvin
- 4- Colour / Ürün renk

| Complete Code / Komple Kod | 2   | 3                                   | 4  |                          |           |       |                          |    |          |                                     |    |       |                          |    |      |                          |    |           |                          |    |               |
|----------------------------|---|-------------------------------------|--|--------------------------|-----------|-------|--------------------------|----|----------|-------------------------------------|----|-------|--------------------------|----|------|--------------------------|----|-----------|--------------------------|----|---------------|
|                            | Watt - Driving Current / Watt - Sürüş Akımı | CRI / Kelvin                        | Product Color / Ürün Renk  |                          |           |       |                          |    |          |                                     |    |       |                          |    |      |                          |    |           |                          |    |               |
| 9                          | 9W  | 827 CRI>80 - 2700K                  | <table border="0"> <tr> <td><input type="checkbox"/></td> <td>01</td> <td>white</td> </tr> <tr> <td><input type="checkbox"/></td> <td>02</td> <td>ral 9010</td> </tr> <tr> <td><input checked="" type="checkbox"/></td> <td>03</td> <td>black</td> </tr> <tr> <td><input type="checkbox"/></td> <td>04</td> <td>gray</td> </tr> <tr> <td><input type="checkbox"/></td> <td>05</td> <td>dark gray</td> </tr> <tr> <td><input type="checkbox"/></td> <td>06</td> <td>special color</td> </tr> </table> | <input type="checkbox"/> | 01        | white | <input type="checkbox"/> | 02 | ral 9010 | <input checked="" type="checkbox"/> | 03 | black | <input type="checkbox"/> | 04 | gray | <input type="checkbox"/> | 05 | dark gray | <input type="checkbox"/> | 06 | special color |
|                            |   | <input type="checkbox"/>            |  | 01                       | white     |       |                          |    |          |                                     |    |       |                          |    |      |                          |    |           |                          |    |               |
|                            |   | <input type="checkbox"/>            |  | 02                       | ral 9010  |       |                          |    |          |                                     |    |       |                          |    |      |                          |    |           |                          |    |               |
|                            |   | <input checked="" type="checkbox"/> |  | 03                       | black     |       |                          |    |          |                                     |    |       |                          |    |      |                          |    |           |                          |    |               |
|                            |   | <input type="checkbox"/>            |  | 04                       | gray      |       |                          |    |          |                                     |    |       |                          |    |      |                          |    |           |                          |    |               |
|                            |   | <input type="checkbox"/>            |  | 05                       | dark gray |       |                          |    |          |                                     |    |       |                          |    |      |                          |    |           |                          |    |               |
| <input type="checkbox"/>   | 06  | special color                       |  |                          |           |       |                          |    |          |                                     |    |       |                          |    |      |                          |    |           |                          |    |               |
| 830 CRI>80 - 3000K         |   |                                     |  |                          |           |       |                          |    |          |                                     |    |       |                          |    |      |                          |    |           |                          |    |               |
| 835 CRI>80 - 3500K         |   |                                     |  |                          |           |       |                          |    |          |                                     |    |       |                          |    |      |                          |    |           |                          |    |               |
| 840 CRI>80 - 4000K         |   |                                     |  |                          |           |       |                          |    |          |                                     |    |       |                          |    |      |                          |    |           |                          |    |               |
| 850 CRI>80 - 5000K         |   |                                     |  |                          |           |       |                          |    |          |                                     |    |       |                          |    |      |                          |    |           |                          |    |               |